

# Technical data sheet



## Product features

### Boiling kettle electric indirect 50 l

<b>Model</b>	<b>SAP Code</b>	00013693
--------------	-----------------	----------



- Device type: Electric unit
- Steam pressure regulation: Automatic - the pressure switch regulates the performance of the device
- Filling: Mechanical cock
- Jacket filling: Semi-automatic
- Drain: Yes
- Basin volume [l]: 50
- Usable volume [l]: 50

<b>SAP Code</b>	00013693	<b>Power electric [kW]</b>	12.000
<b>Net Width [mm]</b>	800	<b>Loading</b>	400 V / 3N - 50 Hz
<b>Net Depth [mm]</b>	700	<b>Basin volume [l]</b>	50
<b>Net Height [mm]</b>	900	<b>Usable volume [l]</b>	50
<b>Net Weight [kg]</b>	80.00	<b>Steam pressure regulation</b>	Automatic - the pressure switch regulates the performance of the device

# Technical data sheet



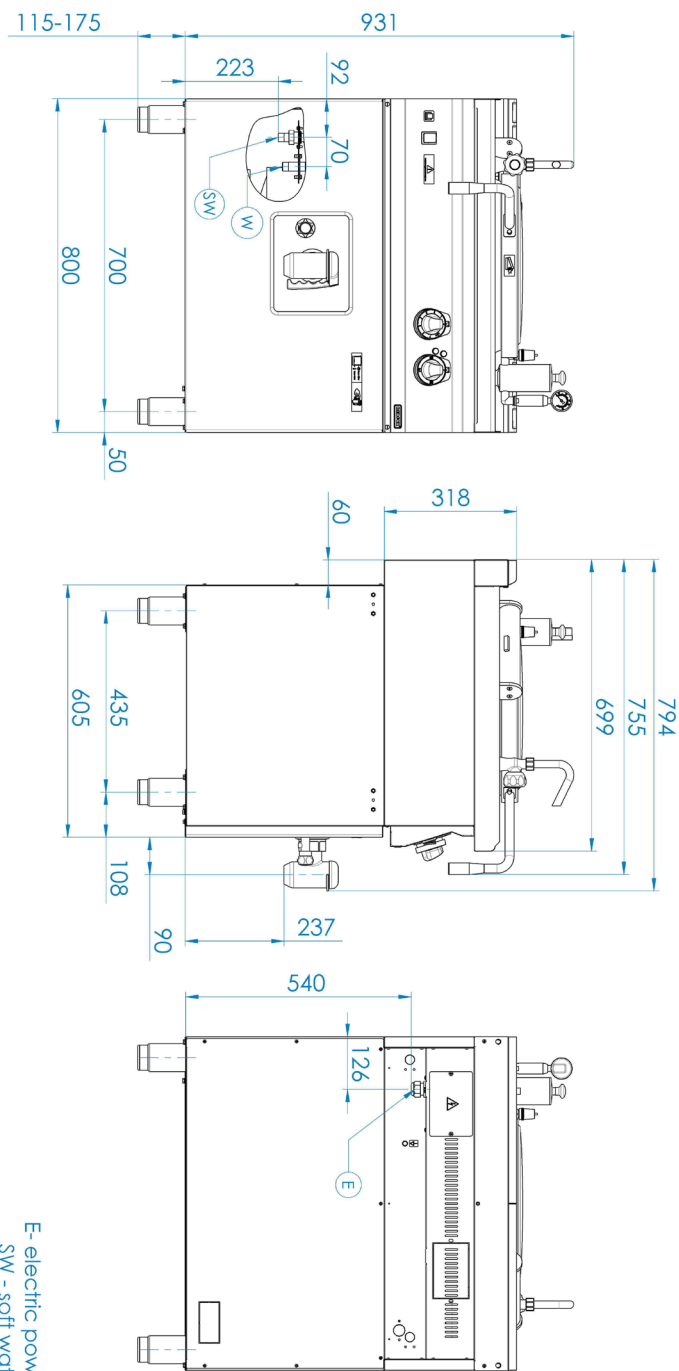
Technical drawing

Boiling kettle electric indirect 50 l

Model

SAP Code

00013693



# Technical data sheet



## Technical parameters

### Boiling kettle electric indirect 50 l

<b>Model</b>	<b>SAP Code</b>	00013693
--------------	-----------------	----------

**1. SAP Code:**

00013693

**2. Net Width [mm]:**

800

**3. Net Depth [mm]:**

700

**4. Net Height [mm]:**

900

**5. Net Weight [kg]:**

80.00

**6. Gross Width [mm]:**

840

**7. Gross depth [mm]:**

800

**8. Gross Height [mm]:**

975

**9. Gross Weight [kg]:**

95.00

**10. Device type:**

Electric unit

**11. Construction type of device:**

With substructure

**12. Power electric [kW]:**

12.000

**13. Loading:**

400 V / 3N - 50 Hz

**14. Material:**

AISI 304 top plate, AISI 430 cladding

**15. Worktop material:**

AISI 304

**16. Worktop Thickness [mm]:**

1.20

**17. Basin volume [l]:**

50

**18. Service accessibility:**

Trough the frontal panel

**19. Safety element:**

steam pressure regulation by a safety safety valve

**20. Safety thermostat:**

Yes

**21. Adjustable feet:**

Yes

**22. Bottom material:**

AISI 316

**23. Type of pan:**

Fixed

**24. Usable volume [l]:**

50

**25. Filling:**

Mechanical cock

**26. Jacket filling:**

Semi-automatic

**27. Steam pressure regulation:**

Automatic - the pressure switch regulates the performance of the device

**28. Type of drain valve:**

with safety lock

# Technical data sheet



Technical parameters

Boiling kettle electric indirect 50 l

<b>Model</b>	<b>SAP Code</b>	00013693
--------------	-----------------	----------

**29. Manometer:**

Yes

**31. Drain:**

Yes

---

**30. Water filling type:**

Cold